
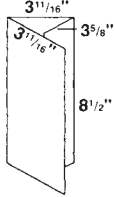
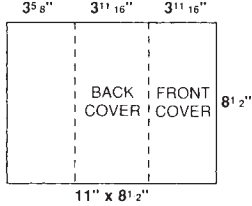
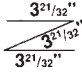
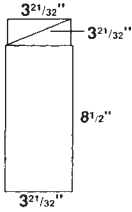
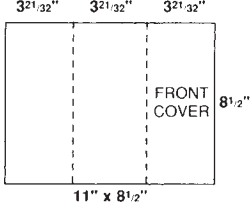
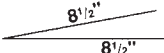
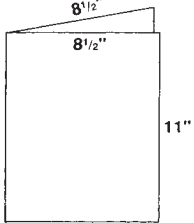
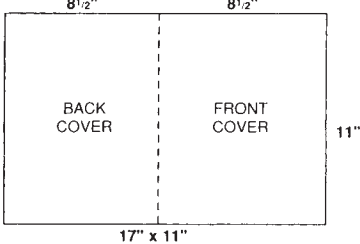
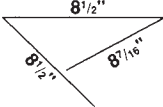
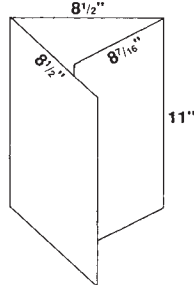
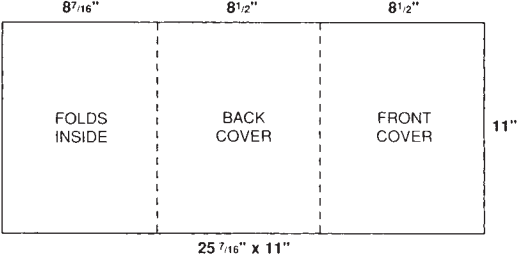
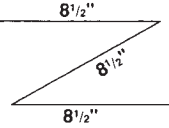
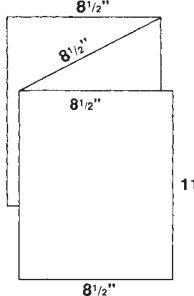
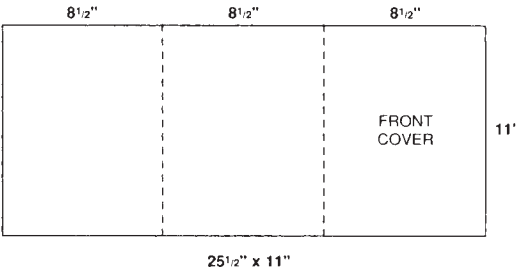
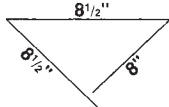
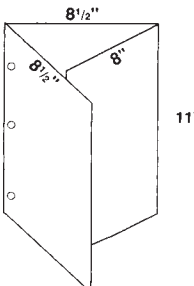
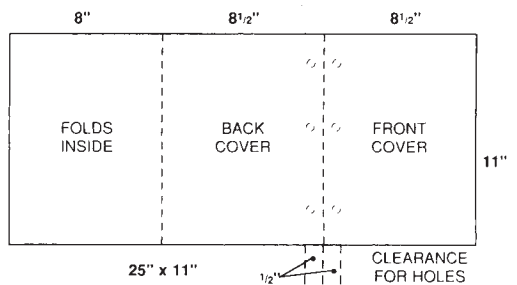


**PRODUCT SHEETS**

FLAT SIZE	TOP VIEW	SIDE VIEW	EXACT TRIM DIMENSIONS FOR MECHANICAL
<p>8<sup>1</sup>/<sub>2</sub>" x 11"</p> <p><b>WRAPAROUND FOLD</b></p>			
<p>8<sup>1</sup>/<sub>2</sub>" x 11"</p> <p><b>ACCORDION FOLD</b></p>			
<p>11" x 17"</p> <p><b>"V" – FOLD</b></p>			
<p>11" x 25<sup>1</sup>/<sub>2</sub>"</p> <p><b>WRAPAROUND FOLD</b></p>			
<p>11" x 25<sup>1</sup>/<sub>2</sub>"</p> <p><b>ACCORDION FOLD</b></p>			
<p>11" x 25<sup>1</sup>/<sub>2</sub>"</p> <p><b>WITH 3 HOLE DRILLING</b></p> <p><b>WRAPAROUND FOLD</b></p>			 <p>1/2" CLEARANCE FOR HOLES</p>

FLAT  
SIZE

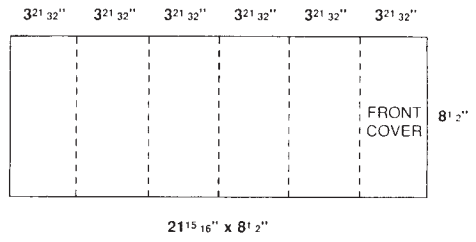
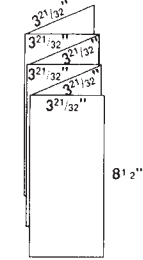
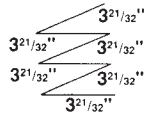
TOP  
VIEW

SIDE  
VIEW

EXACT TRIM DIMENSIONS  
FOR MECHANICAL

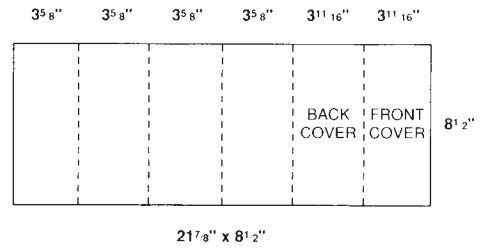
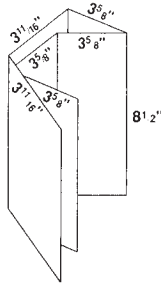
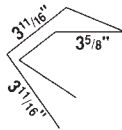
8 1/2" x 22"

ACCORDION  
FOLD



8 1/2" x 22"

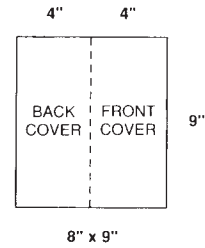
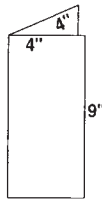
3 PARALLEL  
FOLDS



## BROCHURES

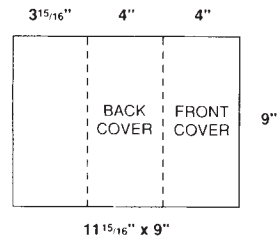
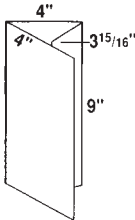
8" X 9"

"V" - FOLD



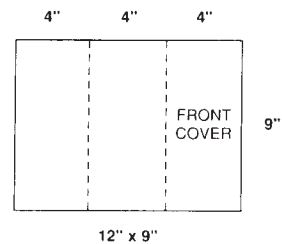
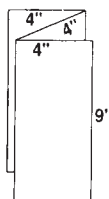
9" x 12"

WRAPAROUND  
FOLD



9" x 12"

ACCORDION  
FOLD



FLAT  
SIZE

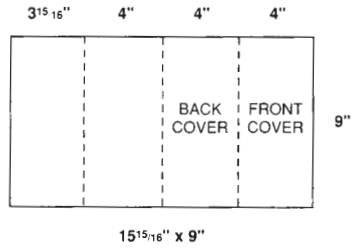
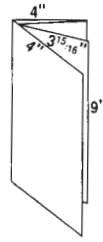
TOP  
VIEW

SIDE  
VIEW

EXACT TRIM DIMENSIONS  
FOR MECHANICAL

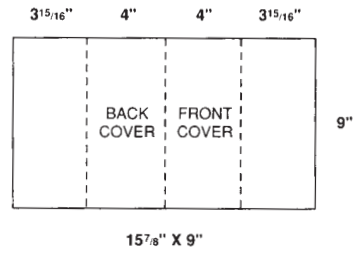
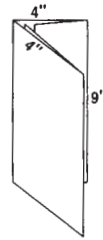
9" x 16"

2 PARALLEL  
FOLDS



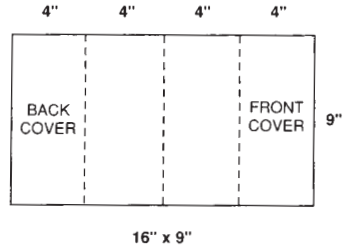
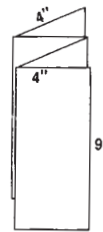
9" x 16"

GATE  
FOLD



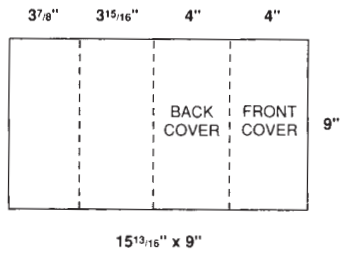
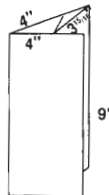
9" x 16"

ACCORDION  
FOLD



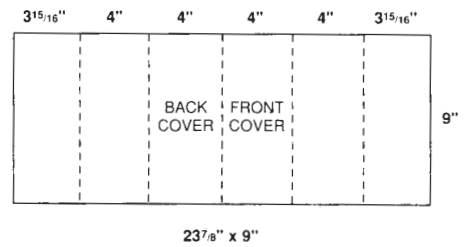
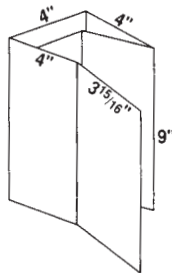
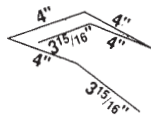
9" x 16"

WRAPAROUND  
FOLD



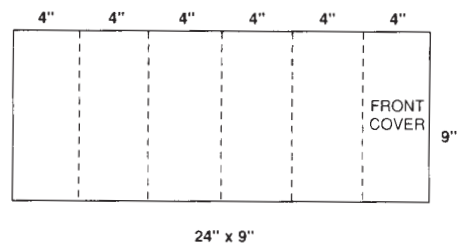
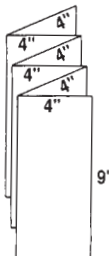
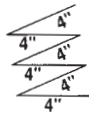
9" x 24"

WRAPAROUND  
"V" - FOLD



9" x 24"

ACCORDION  
FOLD



FLAT  
SIZE

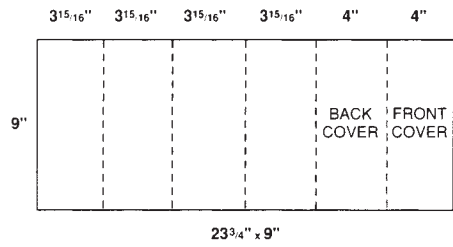
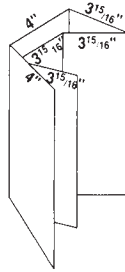
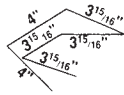
TOP  
VIEW

SIDE  
VIEW

EXACT TRIM DIMENSIONS  
FOR MECHANICAL

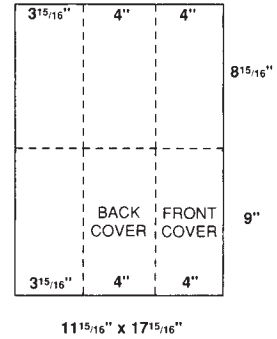
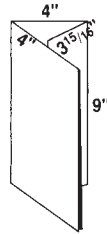
9" x 24"

3 PARALLEL  
FOLDS



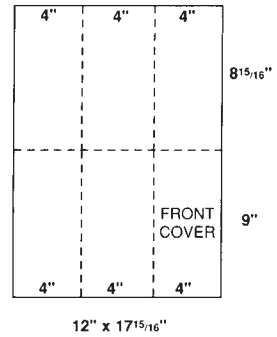
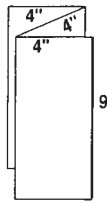
12" x 18"

RIGHT ANGLE  
WRAPAROUND  
FOLD



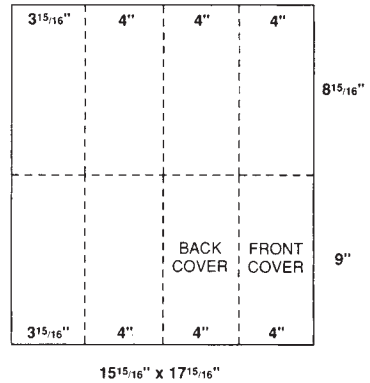
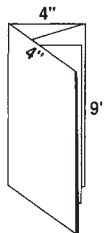
12" x 18"

RIGHT ANGLE  
ACCORDION  
FOLD



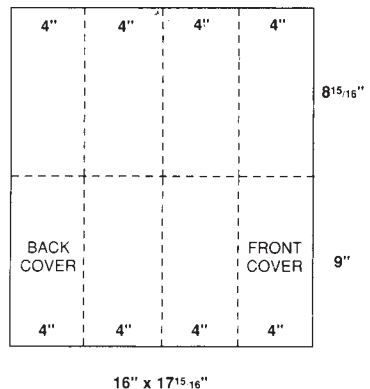
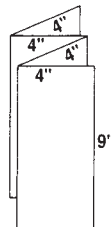
16" x 18"

RIGHT ANGLE  
2 PARALLEL  
FOLDS



16" x 18"

RIGHT ANGLE  
ACCORDION  
FOLD



FLAT  
SIZE

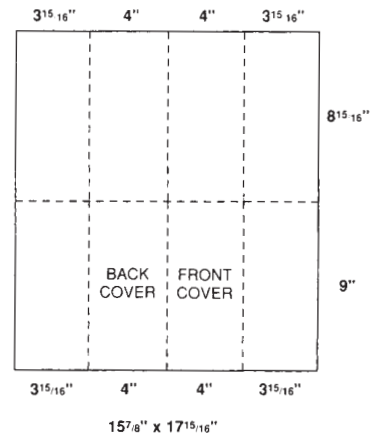
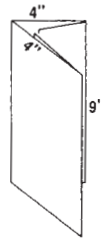
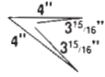
TOP  
VIEW

SIDE  
VIEW

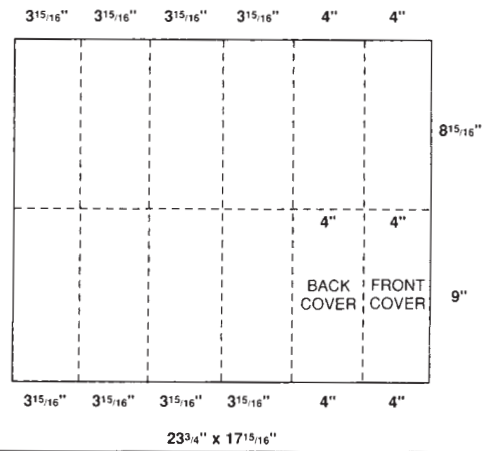
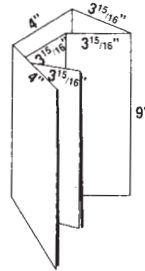
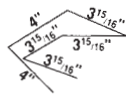
EXACT TRIM DIMENSIONS  
FOR MECHANICAL

16" x 18"

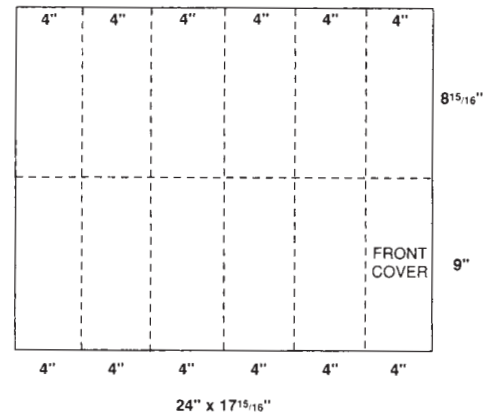
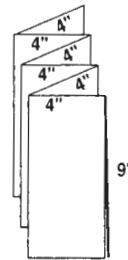
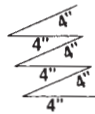
RIGHT ANGLE  
GATE FOLD



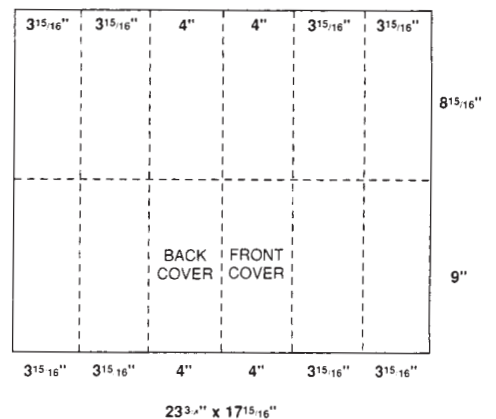
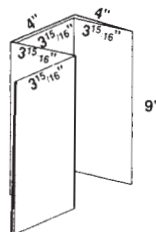
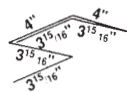
18" x 24"  
RIGHT ANGLE  
2 PARALLEL FOLDS



18" x 24"  
RIGHT ANGLE  
ACCORDION  
FOLD



18" x 24"  
RIGHT ANGLE  
WRAPAROUND  
FOLD



# FOLDING TIPS

## TOLERANCES FOR MULTIPLE FOLDS

- ✓ The inside fold should be shorter by 1/16" on product sheets and brochures.
- ✓ Always keep type at least 1/4" from trim and fold lines.
- ✓ Allow 1/2" of space on the edge for hole drilling.
- ✓ Send a folded dummy with any job that requires folding.
- ✓ Show us how any two-sided piece backs up to the other side.

### FRACTION CONVERSION CHART

#### Decimal Equivalentents

1/32 — 0.031	1/16 — 0.062
3/32 — 0.093	3/16 — 0.187
5/32 — 0.156	5/16 — 0.312
7/32 — 0.218	7/16 — 0.437
9/32 — 0.281	9/16 — 0.562
11/32 — 0.343	11/16 — 0.687
13/32 — 0.406	13/16 — 0.812
15/32 — 0.468	15/16 — 0.937
17/32 — 0.531	1/8 — 0.125
19/32 — 0.593	3/8 — 0.375
21/32 — 0.656	5/8 — 0.625
23/32 — 0.718	7/8 — 0.875
25/32 — 0.781	1/4 — 0.25
27/32 — 0.843	1/2 — 0.5
29/32 — 0.906	3/4 — 0.75
31/32 — 0.968	



100 Rogers Road  
Wilmington, DE 19801  
p 302.656.4500  
f 302.656.4890

info@associatesinternational.com  
AssociatesInternational.com